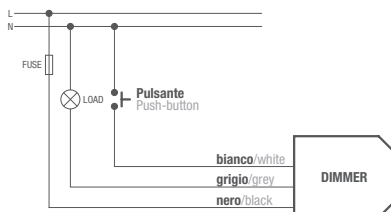


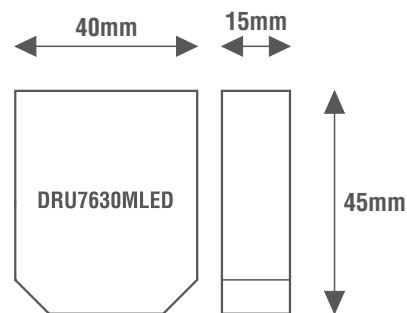
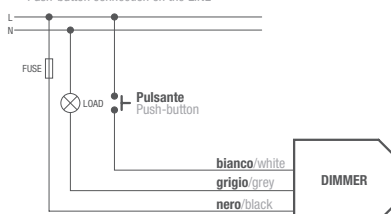
VARIABLE A TAGLIO DI FASE SENZA COLLEGAMENTO AL NEUTRO PHASE CUT DIMMER WITHOUT CONNECTION TO THE NEUTRAL

| | | |
|--|-------------------|--|
| DRU7630M/N | > sostituito da > | DRU7630MLED |
| > obsoleto / end of life product | > replaced by > | > nuovo / new and preferred product |
| <div style="display: flex; flex-direction: column; gap: 10px;"> <div style="display: flex; align-items: center;"> <div> <p>DIMMERA E REGOLA SOLAMENTE LE SORGENTI LUMINOSE AD INCANDESCENZA ED ALOGENE NOT SUITABLE FOR LED</p> </div> </div> <div style="display: flex; align-items: center;"> <div> <p>AUTOCONSUMO >1W SELF-CONSUMPTION >1W</p> </div> </div> </div> | | <div style="display: flex; flex-direction: column; gap: 10px;"> <div style="display: flex; align-items: center;"> <div> <p>DIMMERA E REGOLA TUTTE LE SORGENTI LUMINOSE A LED SUITABLE FOR LED</p> </div> </div> <div style="display: flex; align-items: center;"> <div> <p>AUTOCONSUMO <1W SELF-CONSUMPTION <1W</p> </div> </div> <div style="display: flex; align-items: center;"> <div> <p>CARICO MASSIMO DIMMERABILE RIDOTTO per i CARICHI RESISTIVI, INDUTTIVI e per gli ALIMENTATORI ELETTRONICI MAXIMUM DIMMABLE LOAD REDUCED for the RESISTIVE LOAD, INDUCTIVE LOAD and for the ELECTRONIC DRIVER</p> </div> </div> </div> |

Collegamento del Pulsante sul NEUTRO
Push-button connection on the NEUTRAL



Collegamento del Pulsante sulla FASE
Push-button connection on the LINE



Dimmerazione a Taglio di Fase discendente (a fine fase) IGBT Trailing Edge
Descending Phase Cutting dimming (at the end of the phase) IGBT Trailing Edge

DIM PUSH 230Vac **OUT IGBT**

| CODICE CODE | Modalità Taglio di Fase Phase Cut mode | RESISTIVO RESISTIVE Lampade ad incandescenza o alogene Incandescent or halogen lamps 230Vac | INDUTTIVO INDUCTIVE Trasformatore lamellare Laminated transformer 230/12Vac | INDUTTIVO INDUCTIVE Trasformatore toroidale Toroidal transformer 230/12Vac | Alimentatore elettronico con lampade ad incandescenza o alogene Electronic driver with incandescent or halogen lamps 230/12Vac | Alimentatore elettronico con lampade LED dimmerabili Electronic driver with dimmable LED lamps 230/12Vac | Alimentatore elettronico dimmerabile con uscita in CC/CV per LED Dimmable electronic driver with CC/CV output for LED 230/12Vac | Lampade fluorescenti compatte dimmerabili CFL Dimmable compact fluorescent lamps CFL 230Vac | Lampade LED dimmerabili Dimmable LED lamps 230Vac | Moduli LED dimmerabili Dimmable LED modules Seoul ACRICH 230Vac | Strip LED dimmerabili Dimmable Strip LED 230Vac | Peso Weight (g) 50 |
|--------------------|--|---|---|--|---|---|--|--|--|---|--|-----------------------|
| DRU7630M/N | IGBT | 25-400W | - | 25-300VA | 10-300W | - | - | - | - | - | - | 50 |
| DRU7630MLED | IGBT | 25-200W | - | 20-150VA | 20-150W | 20-150W | 20-150W | 15-150W | 20-150W | 15-150W | 15-150W | 50 |

